

Powerful. Beautiful.

**Excellence · Innovation**

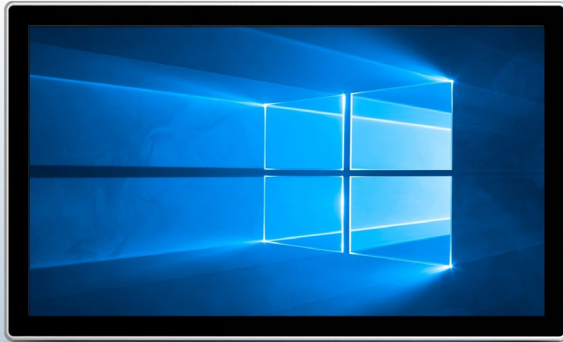
IPC22270 (P)

IPC24270 (P)



**Shanghai Panelmate Electronics Co., Ltd.**

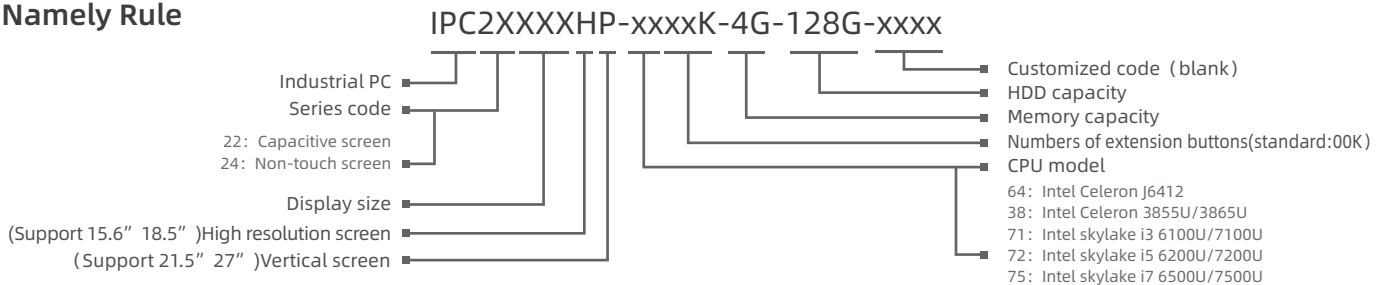
27" FHD Industrial Panel PC (Vertical Screen)



## Features

- Display type: 10.1",10.4",12.1",12.2",15",15.6",17",18.5",19",21.5",27"
- Front panel/back cover: Aluminium-magnesium alloy
- Large aluminium fins design to ensure the reliability and heat dissipation
- Front panel/Rear: IP65 / IP20
- Screen Type: Multi-point capacitive touchscreen / Non-touch screen
- OS:Win XP, Win7,Win10/Win11, Win CE, LINUX
- Equipped with 2xIntel i210AT Gigabit network cards, 4xUSB ports
- Processor: Intel Celeron J6412(don't support Win XP,Win 7)/3855U/3865U and Intel skylake i3/i5/i7 multiple CPU options
- Extendable WIFI/4G
- Customized LOGO

## Namely Rule

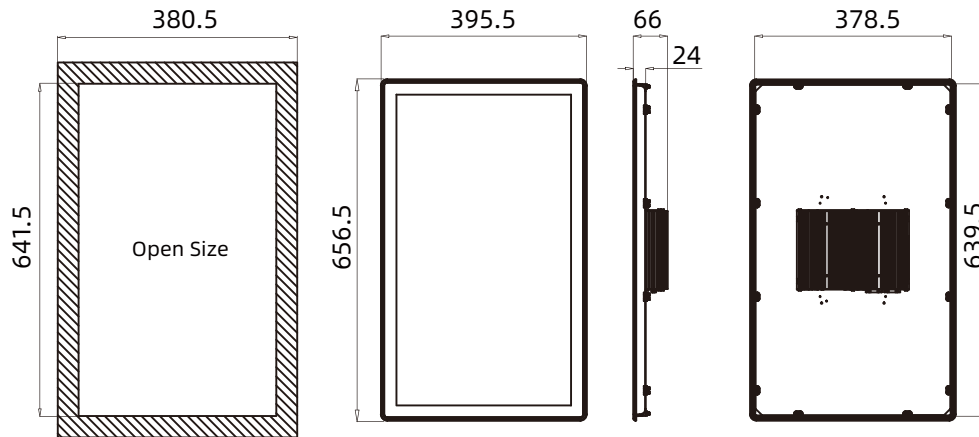


## Specifications

Model	IPC22270 (P) & IPC24270 (P)		
<b>Processor</b>	CPU	Intel®Apollo Lake processor J3455	Intel®Core™i5 processor
	Frequency	Quad Core 1.5GHZ	Dual Core 2.5GHZ
	Cache	2MB L2 Cache	3MB Intel®Smart Cache
	Memory	1xSODIMM DDR3L 1333MHZ,Max: 8GB	DDR4-2133/2400MHZ,Max: 16GB
	Storage	1x2.5" SATA HDD +1 x mSATA	
<b>I/O</b>	Network (LAN)	2xIntel i210 1000Mbps RJ45 with surge protection	
	Audio	Realtek ALC662VD audio controller,support 5.1 channels	
	USB	4xUSB3.0/2.0	
	COM	2xRS232/RS485 with surge protection, RS485 support automatic flow control	
	Expansion Slot	1xMin-Pcie X1, Support 4G LTE/WIFI/BT with Sim card slot	
	Rear I/O	1xHDMI/2xGLAN/4xUSB/2xCOM/AUDIO/DC IN/Power Switch	
<b>Power</b>	Input Voltage	DC 9~36V	
	Power	61W	
<b>Physical</b>	Display Port	HDMI	
	Dimension (WxHxD/mm)	395.5 x 656.6 x 66 (15.57"x25.85"x2.60")	
	Open Size (WxH/mm)	380.5 x 641.5 (14.98"x25.26")	
	Net Weight(kg)	8.55	
	Mounting	Embedded,Wall-mounted,VESA mounting	
<b>LCD</b>	Display Type	27" FHD TFT	
	Resolution	1920x1080	
	Colors	16.7M	
	Active Area (WxH/mm)	598 x 336 (23.54"x13.23")	
	Backlight	LED	
	MTBF (hour)	30000hrs	
	Pixel Pitch (HxV)	0.24825x0.24825	
	Luminance(cd/m2)	250	
	Contrast Ratio	3000:1	
	Viewing Angle	(L) 89/ (R) 89/ (U) 89/ (D) 89	
<b>Touchscreen</b>	Touch Type	Multi-point capacitive touchscreen & Non-touch screen	
	Light Transmission	>85%	
	Controller	USB interface	
	Driver Support	Windows7, WES7, Windows 10, Vxworks, Linux	
	Multi-touch	10 points	
	Surface Hardness	Resistive touchscreen: Mohs' Number>= 3H; Capacitive touchscreen: Mohs' Number 7H	
<b>Environment</b>	Operating Temperature	0~50°C	
	Storage Temperature	-20~60°C	
	Relative Humidity	5~95% (Non condensation)	
	Shock	Operating 10G peak acceleration(11 ms duration), follow IEC 60068-2-27	
	Vibration	Operating Random Vibration Test 5~500Hz, 1Grms@with HDD; 2Grms@with SSD, follow IEC 60068-2-64	
	EMC	CE/FCC Class A	
Front Panel Protection	IP65		

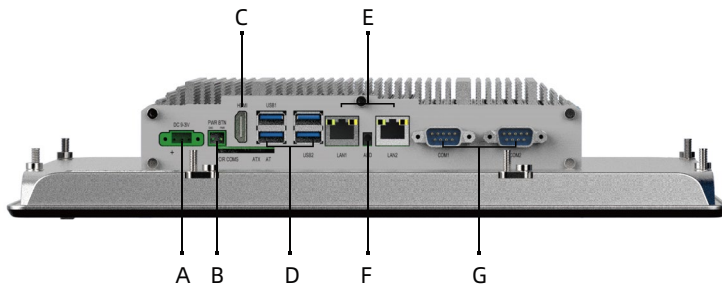
# IPC22270 (P) & IPC24270 (P)

## Technical Drawings unit:mm



Panel Cutout Dimensions: 380.5 x 641.5mm (14.98 x 25.26in)

## External I/O View



Interface definition:

- A: DC IN
- B: Power switch
- C: HDMI port
- D: 4xUSB 3.0/2.0
- E: 2xEthernet LAN
- F: Audio output
- G: 2xCOM

## Ordering Information

Part Number	Description
IPC22270 (P) -3800K-4G-128G	27" TFT LCD / Capacitive touch screen / No extension button / DC9~36V Input / Resolution 1920x1080 / 3855U / 4G RAM / 128G / mSATA / 2xLAN / 4xUSB / 1xHDMI
IPC24270 (P) -3800K-4G-128G	27" TFT LCD / Non-touch screen / No extension button / DC9~36V Input / Resolution 1920x1080 / 3855U / 4G RAM / 128G / mSATA / 2xLAN / 4xUSB / 1xHDMI

## Optional Accessories

mSATA	128G / 256G / 512G
2.5" HDD	512G / 1T / 2T
RAM	4G / 8G / 16G

## Packing List

Terminal	2 pin spring clamp terminal
Terminal	3 pin screw terminals

Note: Package contents are subject to change without prior notice