

Powerful. Beautiful.

Excellence · Innovation

IPC50156

IPC51156

IPC52156



*front-screen button: the right side. widescreen button: the lower side

Shanghai Panelmate Electronics Co., Ltd.

15.6" WXGA Industrial Arm-Mounted Operation Panel PC

IPC50156 & IPC51156 & IPC52156

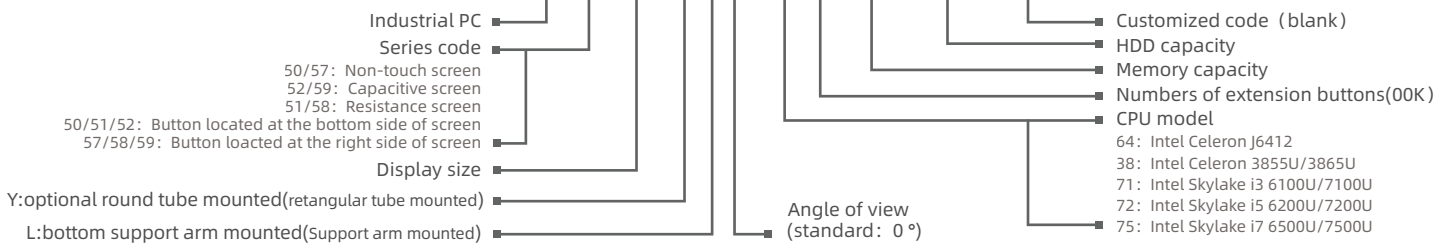


Features

- Display type: 15", 15.6", 18.5", 19", 21.5"
- Front panel/back cover: Aluminium-magnesium alloy
- IP protection level: IP65
- Screen Type: Single point resistive touchscreen, Multi-point capacitive touchscreen, Non-touch screen
- OS: WinXP, Win7, Win10/Win11, WinCE, Linux
- Equipped with 2xIntel i210AT Gigabit network cards, 4xUSB
- Processor: Intel Celeron J6412 (don't support Win XP, Win7) /3855U/3865U and Intel skylake i3/i5/i7 multiple CPU options
- DC 9~36V
- Extendable WIFI/4G

Namely Rule

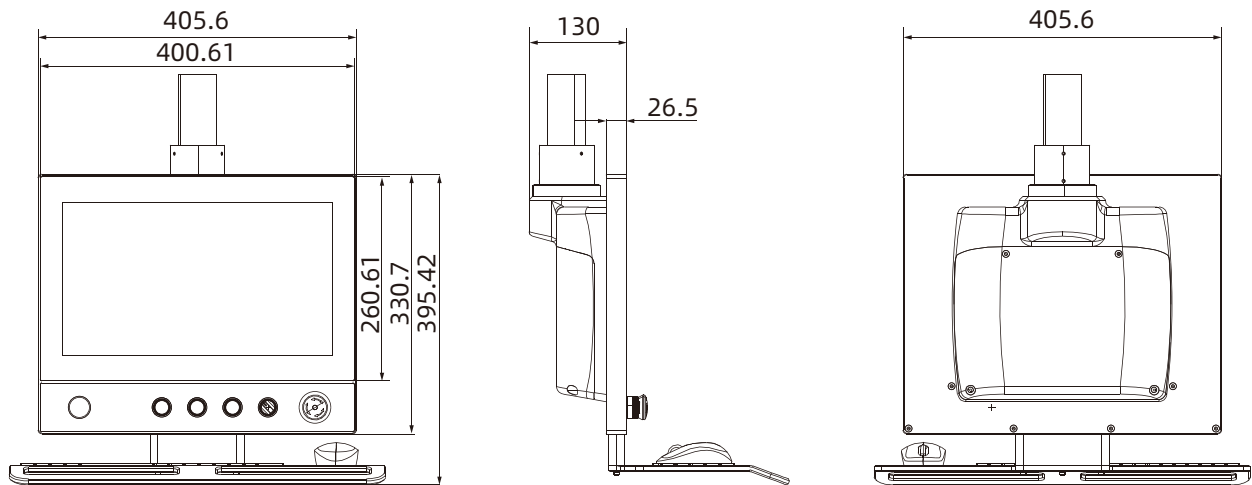
IPC5XXXX Y L X -xxxK-4G-128G-xxxx



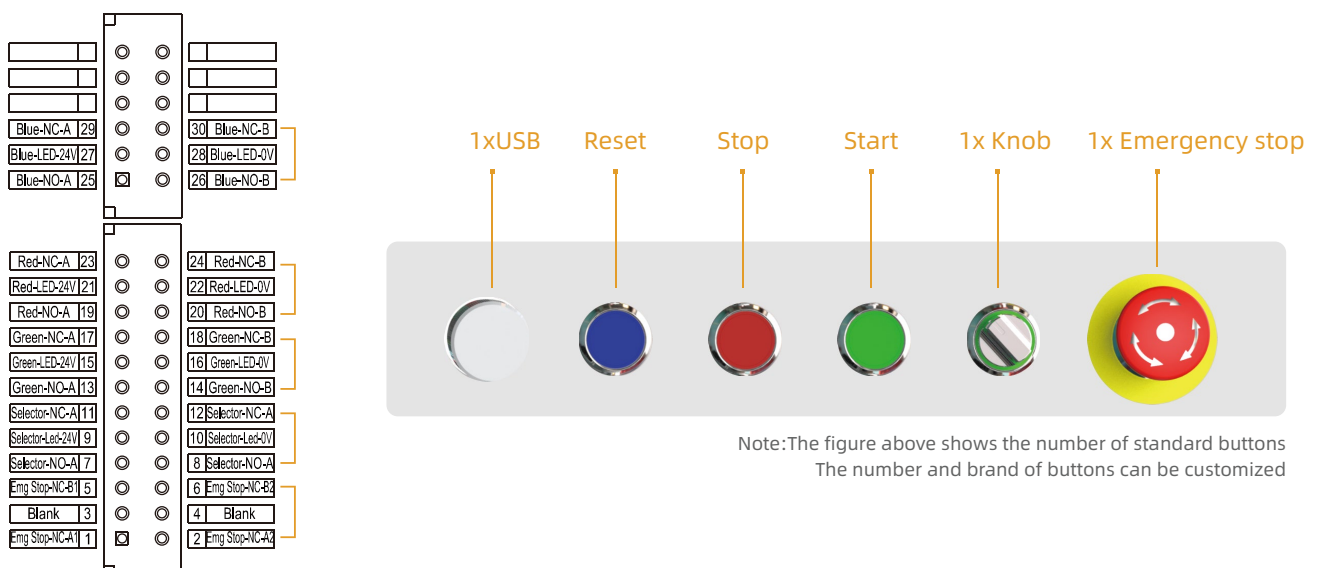
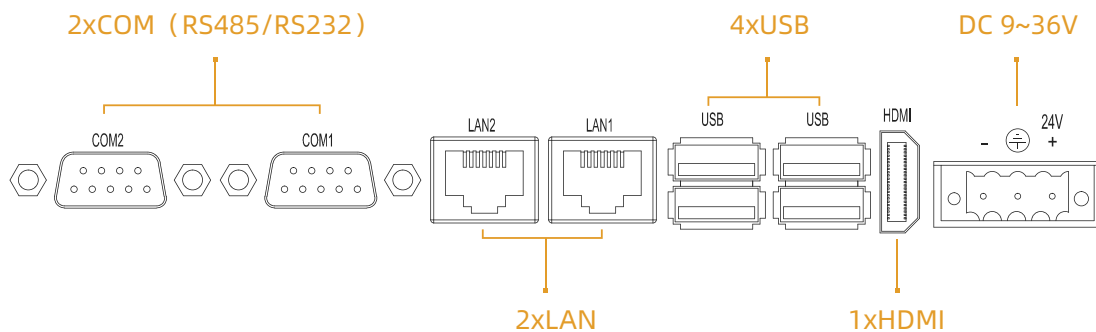
Specifications

Model	IPC50156&IPC51156&IPC52156					
Processor	CPU	Intel®Celeron® processor J6412	Intel®Celeron® processor 3855U/3865	Intel®Core™i3 processor	Intel®Core™ i5 processor	Intel®Core™ i7 processor
	Frequency	Quad Core 2.0GHZ	Dual Core 1.6GHZ	Dual Core 2.3GHZ	Dual Core 2.8GHZ	Dual Core 3.1GHZ
	Cache	1.5MB	2MB	3MB	3MB	4MB
	Memory	DDR4 3200MT/s Max: 32GB	DDR4-1866/2133 Max: 32GB	DDR4-2133 Max: 32GB	DDR4-2133 Max: 32GB	DDR4-2133 Max: 32GB
	Storage	1x2.5" SATA 3.0 +1 x mSATA				
I/O	Network (LAN)	2xIntel i210 1000Mbps RJ45 with surge protection				
	Audio	Realtek ALC662VD audio controller, support 5.1 channels				
	USB	4xUSB3.0/2.0				
	COM	2xRS232/RS485 with surge protection, RS485 support automatic flow control				
	Expansion Slot	1xMin-Pcie X1, Support 4G LTE/WIFI/BT with Sim card slot				
Power	Input Voltage	DC 9~36V				
Power	43W					
Physical	Display Port	HDMI				
	Dimension (WxHxD)	(Keyboard bay not included) 405.6mm x 330.7mm x 130mm (15.97" x 13.02" x 5.12")				
	Net Weight(kg)	(Keyboard bay not included) 10.1kg				
	Mounted	4460 or 48 arm-mounted				
LCD	Display Type	15.6" WXGA TFT				
	Resolution	1366x768				
	Colors	16.7M				
	Active Area (WxH/mm)	344.23mmx193.54mm (13.55"x7.62")				
	Backlight	LED				
	MTBF (hour)	50000hrs				
	Pixel Pitch (HxV)	0.252x0.252				
	Luminance(cd/m2)	300cd/m2				
	Contrast Ratio	3000:1				
Viewing Angle	(L) 85/ (R) 85/ (U) 85/ (D) 85					
Touchscreen	Touch Type	Single point resistive touchscreen & Multi-point capacitive touchscreen & Non-touch screen				
	Light Transmission	>85%				
	Controller	USB interface				
	Driver Support	Windows7, WES7, Windows 10, Vxworks, Linux				
	Multi-touch	10 points				
Environment	Surface Hardness	Resistive touchscreen: Mohs' Number>= 3H; Capacitive touchscreen: Mohs' Number 7H				
	Operating Temperature	0~60°C				
	Storage Temperature	-20~60°C				
	Relative Humidity	5~95% (Non condensation)				
	Shock	Operating 10G peak acceleration(11 ms duration), follow IEC 60068-2-27				
	Vibration	Operating Random Vibration Test 5~500Hz, 1Grms@with HDD;2Grms@with SSD, follow IEC 60068-2-64				
EMC	CE/FCC Class A					
Front Panel Protection	IP65					

Technical Drawings unit: mm



External I/O View



Ordering Information

Part Number	Description
IPC50156-6405K-4G-128G	15.6" TFT LCD / Non-touch screen / extend 5 buttons / DC9~36V input / Resolution 1366x768 / J6412 / 4G RAM / 128G / mSATA / 2xLAN / 4xUSB / 1xHDMI
IPC51156-6405K-4G-128G	15.6" TFT LCD / Capacitive touch screen / extend 5 buttons / DC9~36V input / Resolution 1366x768 / J6412 / 4G RAM / 128G / mSATA / 2xLAN / 4xUSB / 1xHDMI
IPC52156-6405K-4G-128G	15.6" TFT LCD / Resistive touch screen / extend 5 buttons / DC9~36V input / Resolution 1366x768 / J6412 / 4G RAM / 128G / mSATA / 2xLAN / 4xUSB / 1xHDMI

Optional Accessories

mSATA	128G / 256G / 512G / 1T
2.5" HDD	512G / 1T / 2T
RAM	4G / 8G / 16G / 32G

Packing List

Terminal	3-pin terminal
Terminal	12-pin terminal
Terminal	24-pin terminal

Note: Package contents are subject to change without prior notice